

TECHNICAL SERVICE BULLETIN

REAR CALIPER

Before carrying out any work, refer to the manufacturer's instructions.

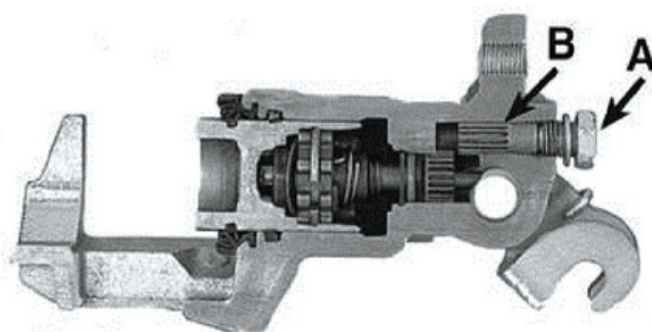
In order to provide you with quality service, please find below installation recommendations for replacing and commissioning rear brake calipers for the following references:

References	Manufacturer	References	Manufacturer	References	Manufacturer	References	Manufacturer
ET71930	Mazda	ET72530	Daihastu	ET72758	Mazda	ET73674	Mazda
ET71931	Mazda	ET72531	Daihastu	ET72759	Mazda	ET73675	Mazda
ET72004	Mazda	ET72658	Daihastu	ET72830	Mazda	ET74042	Suzuki
ET72005	Mazda	ET72659	Daihastu	ET72831	Mazda	ET74043	Suzuki



HANDBRAKE ADJUSTMENT

1. Position the caliper
2. Before connecting the brake hose, remove the bolt (A) located at the rear of the caliper.
3. Access the hexagon screw (B) on the housing and tighten it until the piston presses against the pads and touches the disc.
4. Replace the screw to close and purge the circuit.



Attention : If the above instructions are not followed, no warranty return will be granted.

This manual does not replace the manufacturer's instructions.